

**The metering pump for all of your applications**

NEMO® Dispensers guarantee precise metering and repeatability of highly abrasive and viscous fluids. The positive displacement, low pulsation flow conveys your product without damage to your product. Whether your requirements call for single or 2-component meter-mix we have the size, model and solution for all of your applications.

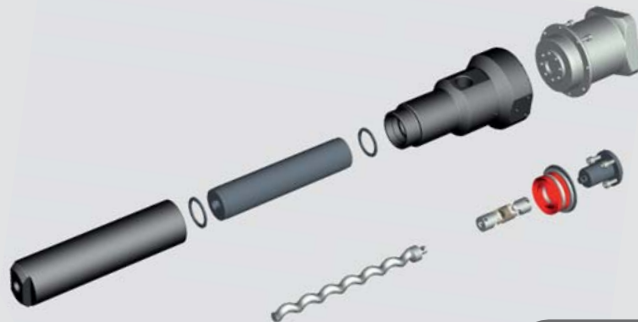


**NEMO® Dispenser Features**

- Capacity directly proportional to pump speed
- Dosing accuracy  $\pm 1\%$  volumetric
- Highly versatile in applications requiring robotic and servo technology
- Valve free dosing method
- Optional heating
- Perfect for shear sensitive products such as micro balloons

**Your Benefits**

- Very smooth conveyance
- Low pulsation
- Compact designs allow for easy installation in robotic applications
- Products with entrained solids are conveyed without damage
- No dripping or stringing of product
- Flow is independent of temperature or viscosity

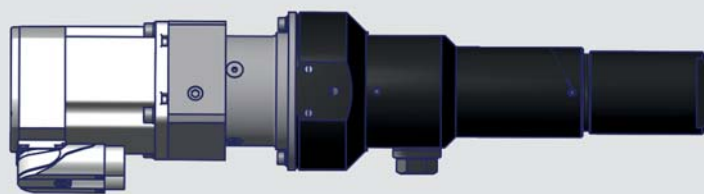
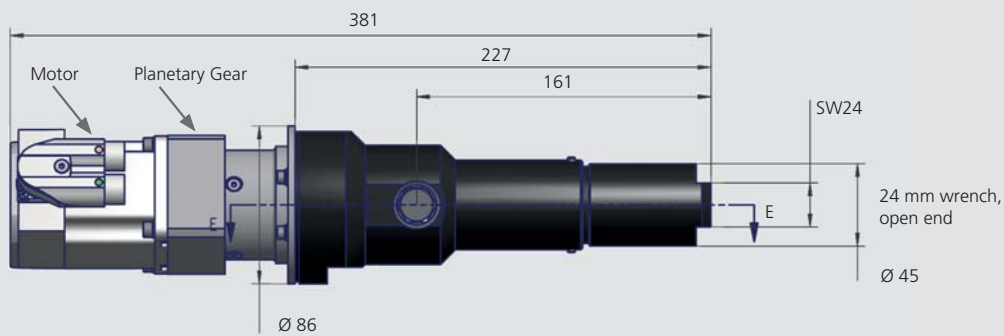


**Applications**

- Low to very high viscos fluids
- Abrasive products
- Anaerobic products
- Shear and pressure sensitive products
- Dot or bead applications
- Suitable for all adhesives and sealants
- Excellent for all potting applications
- Can be used for flux and soldering pastes



# NEMO® Dispenser NDP0400-04



all dimensions in mm

## NEMO® Dispensers NDP0400-04

Dosing volume	~ 0.18 ml/rev.
Min. dosing quantity	0.075 ml*
Stator materials	NBR, EPDM, Viton, PTFE25%GF, (FDA Grades available)
Flow rate	2 – 36 ml/min*
Max. dispense speed	200 rpm*
Operating temperature	up to +248 °F /+120 °C
Max. back pressure	up to 450 psi/30 bar*
Max. inlet pressure	145 psi/10 bar
Weight incl. gearbox	ca. 5.9 lbs/2.7 kg

\*depending on product

NETZSCH Pumps North America, LLC  
 119 Pickering Way  
 Exton, PA 19341  
 USA  
 Phone: 610 363-8010  
 Fax: 610 363-0971  
 E-mail: npa@netsch.com  
 www.metermix.com

NETZSCH Canada, Incorporated  
 740 Huronia Road, Unit 10  
 Barrie, ON L4N 6C6  
 Canada  
 Phone: 705 797-8426  
 Fax: 705 797-8427  
 E-mail: ntc@netsch.com