

**The metering pump for all
of your applications**

NEMO® Dispensers guarantee precise dosing and repeatability of highly abrasive and viscous fluids. The positive displacement, low pulsation flow conveys your product without damage to your product. Whether your requirements call for single or 2-component meter-mix we have the size, model and solution for all of your applications.

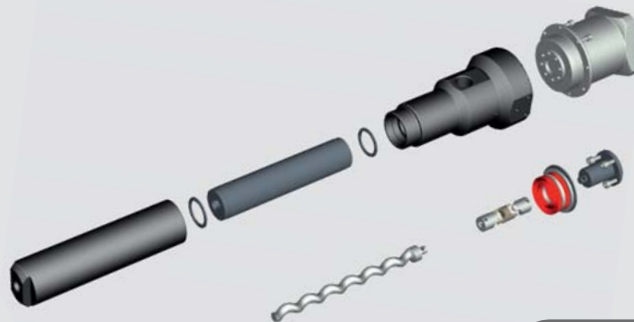


NEMO® Dispenser Features

- Capacity directly proportional to pump speed
- Dosing accuracy $\pm 1\%$ volumetric
- Highly versatile in applications requiring robotic and servo technology
- Valve free dosing method
- Optional heating
- Perfect for shear sensitive products such as micro balloons

Your Benefits

- Very smooth conveyance
- Low pulsation
- Compact designs allow for easy installation in robotic applications
- Products with entrained solids are conveyed without damage
- No dripping or stringing of product
- Flow is independent of temperature or viscosity

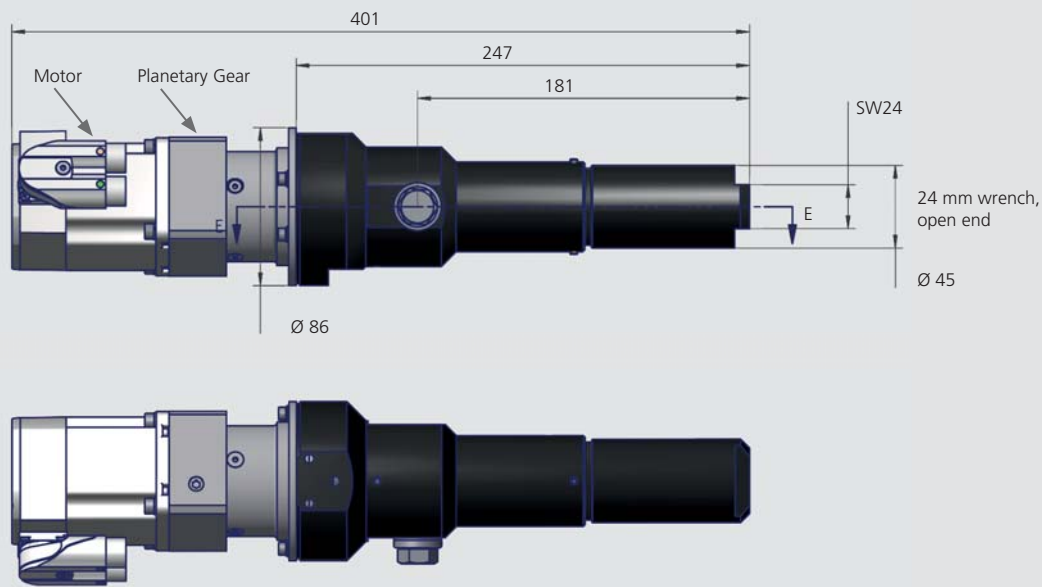


Applications

- Low to very high viscos fluids
- Abrasive products
- Anaerobic products
- Shear and pressure sensitive products
- Dot or bead applications
- Suitable for all adhesives and sealants
- Excellent for all potting applications
- Can be used for flux and soldering pastes



NEMO® Dispenser NDP0600-03



all dimensions in mm

NEMO® Dispensers NDP0600-03

Dosing volume	~ 1 ml/rev.
Min. dosing quantity	0.25 ml*
Stator materials	NBR, EPDM, Viton, PTFE25%GF, (FDA Grades available)
Flow rate	6 – 200 ml/min*
Max. dispense speed	200 rpm*
Operating temperature	up to +248 °F /+120 °C
Max. back pressure	up to 450 psi/30 bar*
Max. inlet pressure	145 psi/10 bar
Weight incl. gearbox	ca. 6.2 lbs/2.8 kg

*depending on product

NETZSCH Pumps North America, LLC
 119 Pickering Way
 Exton, PA 19341
 USA
 Phone: 610 363-8010
 Fax: 610 363-0971
 E-mail: npa@netsch.com
 www.metermix.com

NETZSCH Canada, Incorporated
 740 Huronia Road, Unit 10
 Barrie, ON L4N 6C6
 Canada
 Phone: 705 797-8426
 Fax: 705 797-8427
 E-mail: ntc@netsch.com